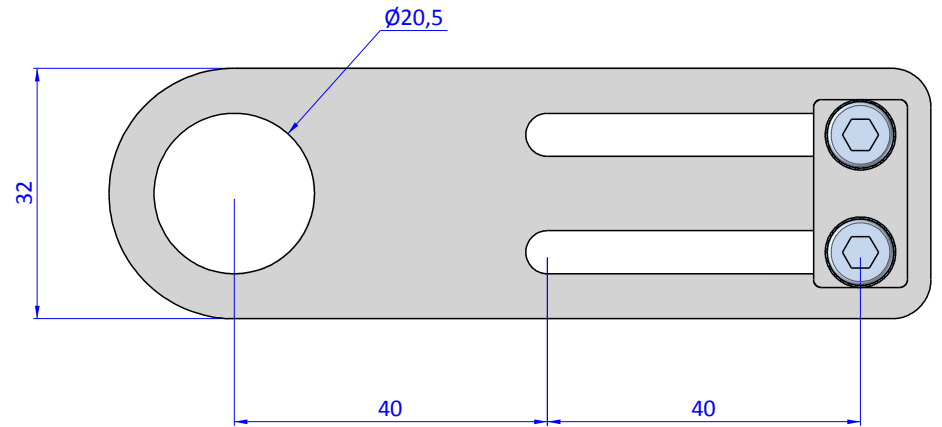
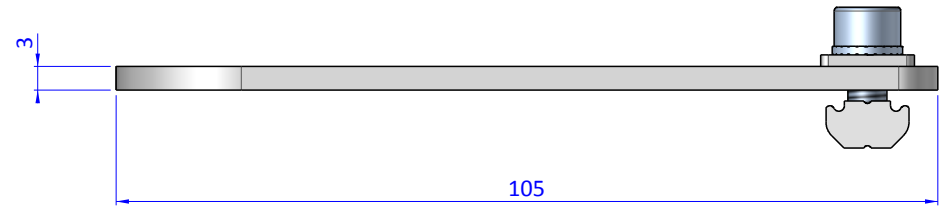
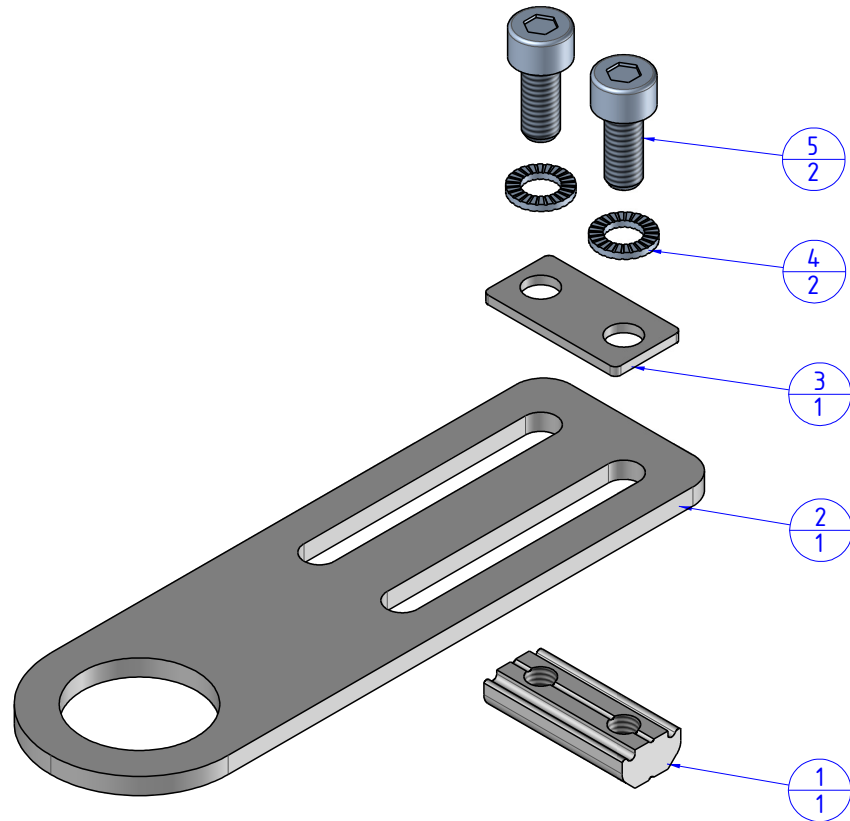


THE PROPERTY OF THE DRAWING IS ESTABLISHED BY LAW. IT IS FORBIDDEN TO PRODUCE OR SHOW IT TO THIRD PARTY, WITHOUT A WRITTEN AGREEMENT.

Item	Name	Q.ty
1	CA.GWP.5.15	1
2	CA.SCM.20	1
3	R.05.15	1
4	R.5.SCH	2
5	VTCE5x12	2



Format A3

UNI 936-76

		DESIGNED FROM	REVIEW
		FP SERVICES	A
GENERAL TOLERANCE	DESCRIPTION	DATE	WEIGHT
UNI - ISO 2768		16/04/2018	0,078kg
CLASSE f	CA.SCM.20.X	CODE	CA.SCM.20.X